

Spare parts list

Edition 20120614



Valid for serial no. 638-xxx-xxxx

Ordering no. Product

0349 304 839 Origo™ Feed 30w

0349 304 840 Origo™ Feed 30

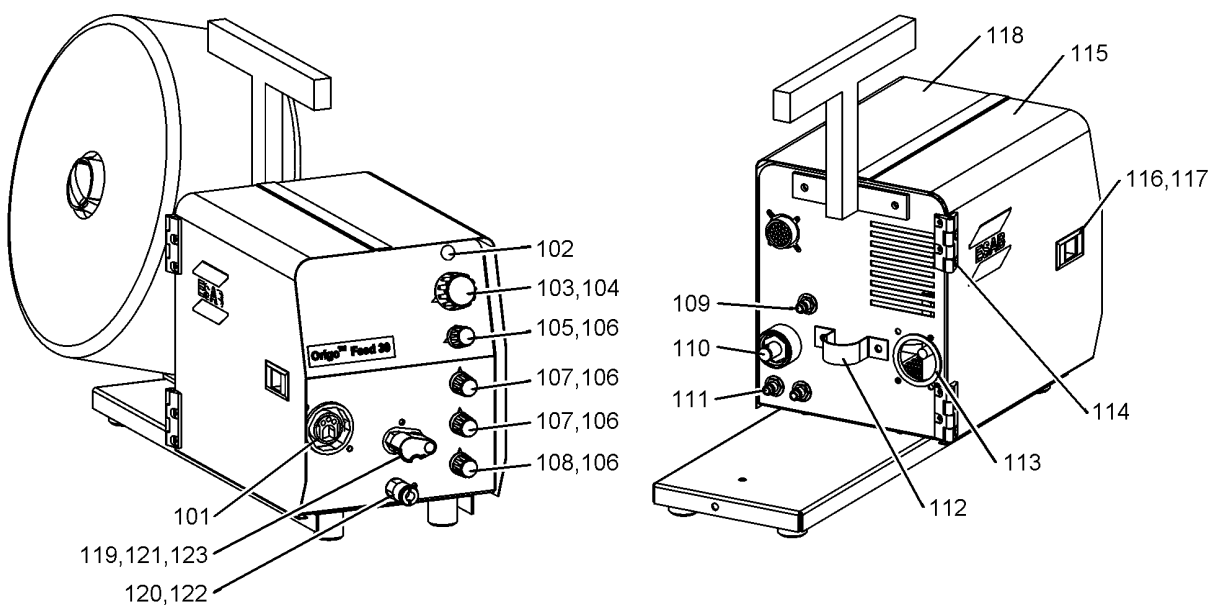
Spare parts are to be ordered through the nearest ESAB agency. Kindly indicate type of unit, serial number, denominations and ordering numbers according to the spare parts list.

Maintenance and repair work should be performed by an experienced person, and electrical work only by a trained electrician. Use only recommended spare parts.

Rights reserved to alter specifications without notice.

Feed 30, Feed 30w

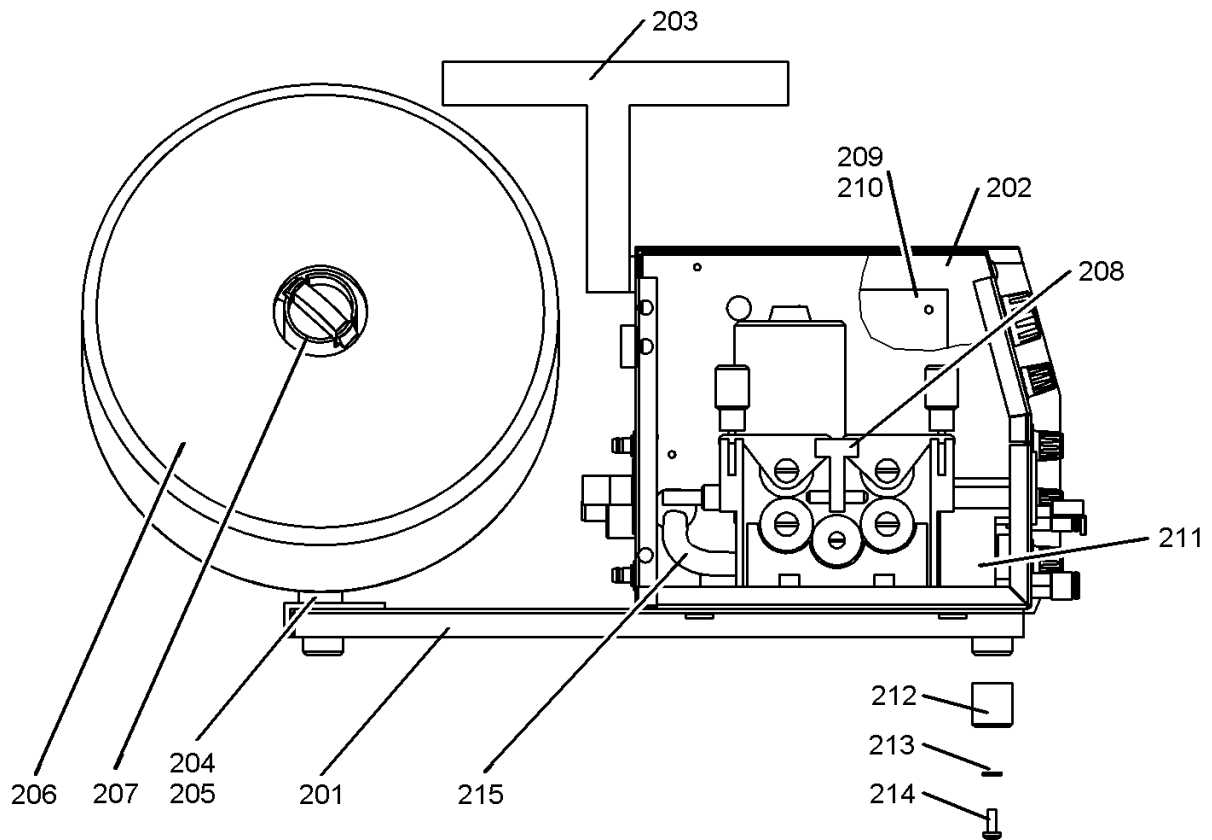
Item	Qty C340	Ordering no.	Denomination	Notes	C
101	1	0349 304 792	Current connection		
102	1	0369 733 007	Signal lamp		H1
103	1	0349 302 094	Potentiometer		R1
104	1	0321 475 882	Knob	Ø 35	
105	1	0349 304 108	Rotary switch		S1
106	4	0321 475 881	Knob	Ø 20	
107	2	0349 485 758	Potentiometer		R2,R3
108	1	0349 486 429	Rotary switch		S2
109	1	0349 483 648	Gas valve		K1
110	1	0349 486 674	Plug-in socket		
111	2	0349 304 484	Coupler		
112	1	0349 495 172	Clamping ring		
113	1	0349 490 184	Bushing		
114	2	0349 494 740	Hinge		
115	1	0349 304 476	Shield plate	movable	
116	1	0369 561 001	Lock	together with 0369 561 002	
117	1	0369 561 002	Clamp	together with 0369 561 001	
118	1	0349 304 479	Shield plate		
119	1	0349 309 899	Water connection spare KIT		
120	1	0349 487 059	Hose	L=300 red	
121	1	0457 290 033	Hose	L=300 blue	
122	1	0365 803 014	Quick connection	red	
123	1	0365 803 015	Quick connection	blue	



C = component designation in the circuit diagram

Feed 30, Feed 30w

Item	Qty	Ordering no.	Denomination	Notes	C
201	1	0349 304 467	Base		
202	1	0349 304 469	Casing		
203	1	0349 493 922	Handle		
204	1	0349 310 294	Spool bracket		
205	1	0349 310 295	Plate		
206	1	0349 310 291	Bobbin cover		
207	1	0146 967 881	Brake hub		
208	1	0349 484 083	Wire feed unit		M1
209	1	0349 304 491	PC board		A1
210	4	0349 487 145	Spacer		
211	1	0349 304 486	Bracket		
212	4	0349 495 118	Foot		
213	4	0349 481 037	Washer		
214	4	0349 481 184	Pan head screw		
215	1	0349 307 604	Current cable		



Wear parts

(W. F. Mechanism 0349 484 083)

Item	Denomination	Ordering no.	Notes
A	Feed / pressure roller	0349 484 335	Ø 0.8-1.0mm Fe, Ss, cored wire, V-groove.
		0349 484 339	Ø 1.2-1.6mm Fe, Ss, cored wire, V-groove.
		0349 484 342	Ø 1.0-1.2mm cored wire, V-groove, knurled.
		0349 484 341	Ø 1.2-1.6mm cored wire, V-groove, knurled.
		0349 484 338	Ø 1.0-1.2mm Al, U-groove.
		0349 484 340	Ø 1.2-1.6mm Al, U-groove.
B	Gear adapter	0349 484 355	
C	Drive gear	0349 484 356	
D	Pressure roller	0349 484 346	Fe, Ss, cored wire, Al
E	Inlet nozzle	0349 308 000	Fe, Ss, cored wire, Al
F	Intermediate nozzle	0349 484 344	Fe, Ss, cored wire, Al
G	Outlet nozzle	0349 304 793	Ø 2.0 steel for Fe, Ss, cored wire
		0349 305 089	Ø 2.0 plastic for Al
H	Liner	0349 496 716	Fe, Ss, cored wire, Al

The rollers are marked with wire dimension in mm, some are also marked with inch.

Welding with aluminium wires.

In order to weld with aluminium wires, proper rollers, nozzles and liners for aluminium wires **MUST** be used. It is recommended to use 3m long welding gun for aluminium wires, equipped with appropriate wear parts.

Feed 30, Feed 30w

